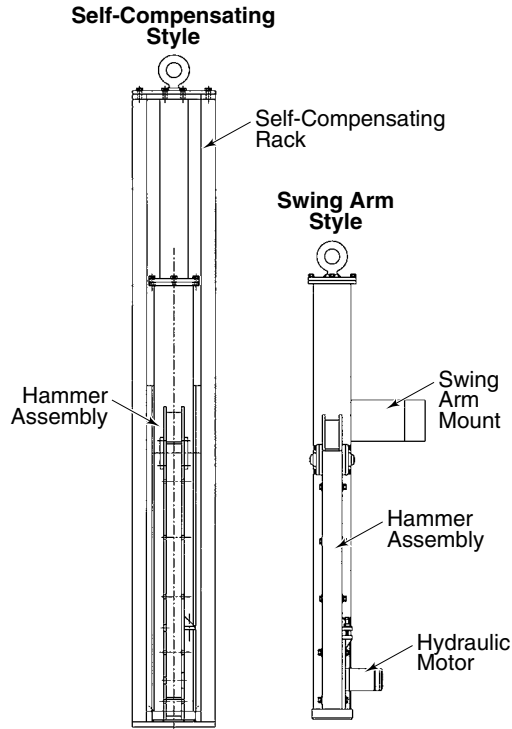


NEW SPT AUTOMATIC HAMMER



The hydraulically driven, fully automatic SPT hammer provides a consistent 30" (762mm) drop of the enclosed slug at a variable blow count range from 0-53 blows per minute. Both the standard duty and heavy-duty hammers are available in two types - self-compensating hammer or swing-arm style. The Mobile SPT hammers are easily adapted to any drill with a twin feed cylinder design. Other rigs can also be upgraded with assistance from Mobile. When ordering, please be sure to order one each of the hammer assembly and the interchangeable slugs. Specify rig make, model and year when ordering.

Meets ASTM-D-1586-84 standard and spec in every state.

SPT AUTO HAMMER FIELD KITS

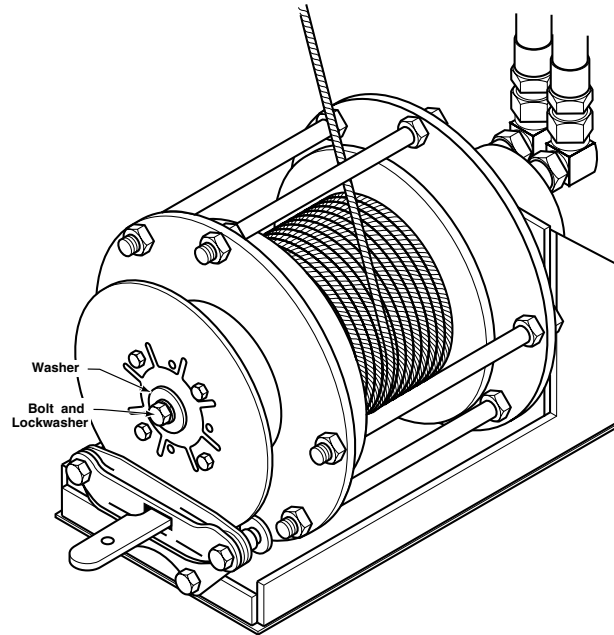
Description	Part No.
B-59 (140# self-compensating - std duty).....	21034-02
B-59 (140# swing arm - std duty).....	21034-03
B-59 (300# self-compensating - heavy duty).....	21034-04
B-59 (300# swing arm - heavy duty).....	21034-05
B-57/B-58/B-61 (140# self-compensating - std duty).....	21034-06
B-57/B-58 (140# swing arm - standard duty).....	21034-07
B-61 (140# swing arm - standard duty).....	21034-08
B-57/B-58/B-61 (300# self-compensating - heavy duty).....	21034-09
B-57/B-58 (300# swing arm - heavy duty).....	21034-10
B-61 (300# swing arm - heavy duty).....	21034-11

HAMMER SLUGS

#219022 (140 lb) and #219023 (170 lb) to be used with field kits 21034-02, 21034-03, 21034-06, 21034-07, and 21034-08.

#219044 (300 lb), #219045 (340 lb) and #219046 (140 lb) to be used with field kits 21034-04, 21034-05, 21034-09, 21034-10, and 21034-11.

SAFE-T-DRIVER HOIST



The SAFE-T-DRIVER® hoist is a hydraulic hoist which is designed to replace the cathead for SPT sampling operations. Unlike the cathead, SAFE-T-DRIVER hoist offers full safety of operation and requires very little physical exertion to operate. The SAFE-T-DRIVER hoist is operated by a valve lever which is used to **control the lift** and free fall the hammer for each blow. The hoist can be used to "bump out" the loaded sampler at the end of a run.

The SAFE-T-DRIVER hoist is equipped with a hand brake and can be used to handle light loads. Consult factory for field installation on Mobile Drills and other selected drill models.

SPECIFICATIONS

Maximum Rated Capacity.....	1140 lbs. (517.1Kg)
Maximum Speed Up.....	1132 rpm
Maximum Cable Capacity.....	350' (107m) of 1/4" (6.4mm)
Required operating capacity or hydraulic system.....	25 gpm @ 2500 psi

Description	Lb/Kg	Part No.
Safe-T-Driver Hoist.....	125 (56.7)	21012-25

Key: * Designates weights less than 1 lb (.5kg)

† Consult Factory

9

MOYNO PROGRESSIVE CAVITY PUMPS

Moyno pumps, with their unique quality construction, are the industry standard for grouting applications in the environmental market and are preferred for most rotary drilling and shallow diamond coring geotechnical applications. Specify pump size and serial number when ordering spare parts.

Ref. Description	3L4	3L6	3L8
Water Pump Assembly	71037-02	71037-03	71037-10
1 Suction Housing	003300	003328	003356
2 Packing Washer	003302	003330	003358
3 Packing	003303	003331	003359
4 Packing Gland	003304	003332	003360
5 Bearing Cover Plate	003305	003333	003361
6 Shaft Collar	003308	003336	003364
7 Rotor	003314	003342	003370
8 Drive Shaft	003315	003343	003372
9 Lantern Ring	003318	003346	003375
10 Stator Support	003325	003353	003382
11 Reducer	003326	003354	N/A
12 Pump Support	003327	003355	003384
13 Bearing Housing	212602	006007	006008
14 Boot Seal	004085	006817	212601
15 Stator Frame	212599	212597	212600
16 Connecting Rod Kit	212603-02	212603-01	212603-03
17 Bearing Kit	212604-02	212604-01	212604-03

