

Mobile Drill Intl

HELPING YOU BUILD OUR WORLD SINCE 1947

MM The Minuteman

Gasoline/Electric Man-Portable Drill



Pre-Bid Drilling
Concrete Core Drilling
Asphalt Core Drilling
Test Drilling

TOUGH COMPACT

ECONOMICAL • LIGHTWEIGHT • HELI-PORTABLE/MAN-PORTABLE

MM Drilling Features

- 68 inch Feed Stroke
- Maximum Rotary Speed: 460 rpm
- Retract Force: 17,600 lbs
- Pulldown Force: 13,250 lbs
- Compact size permits mounting on a variety of carriers to provide go-anywhere versatility.



The Minuteman



PERFORMANCE SPECIFICATIONS

Minuteman - Gasoline Powered

With a total weight of only 347 lbs [157 kg], the gas powered Minuteman goes just about anywhere.

Rotary Drive System

Maximum Rotary Speed: 1,000 rpm

Maximum Torque: 664 ft-lb [900 Nm]

Dimensions

Height: 73 in [1.9 m]

Width: 32 in [813 mm]

Length: 28 in [711 mm]

Weight: 328 in [148 mm]

Feed Stroke (Standard): 44 in [1.1 m]

Estimated Operating Capacities

Augers, 3 in [76 mm] OD: 35 ft [11 m]

Augers, 12 in [305 mm] OD: 3 ft [1 m]

Concrete/Asphalt Drilling: 1-8 in [25 mm-203 mm]

Minuteman - Electric Powered

The electric powered Minuteman has zero emissions and no combustible fluids, making it ideal for indoor or underground applications. It is available in 220V single phase or 208V, 230V, 460V, and 575V triple phase.

Rotary Drive System

Maximum Rotary Speed: 1,068 rpm

Maximum Torque: 446 ft-lb [605 Nm]

Dimensions

Height: 73 in [1.9 m]

Width: 32 in [813 mm]

Length: 28 in [711 mm]

Weight: 328 in [148 mm]

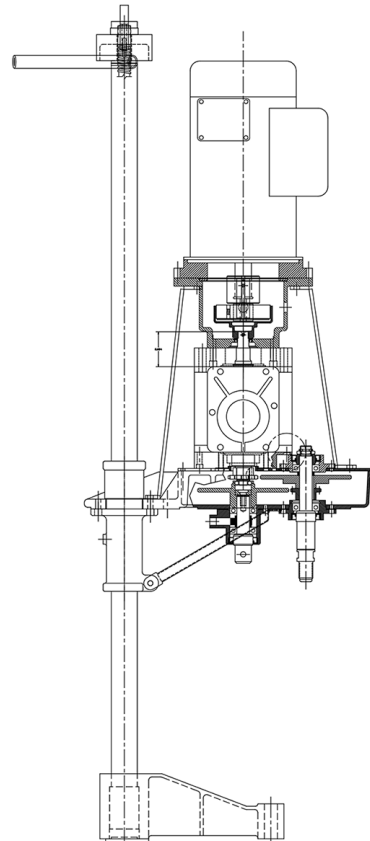
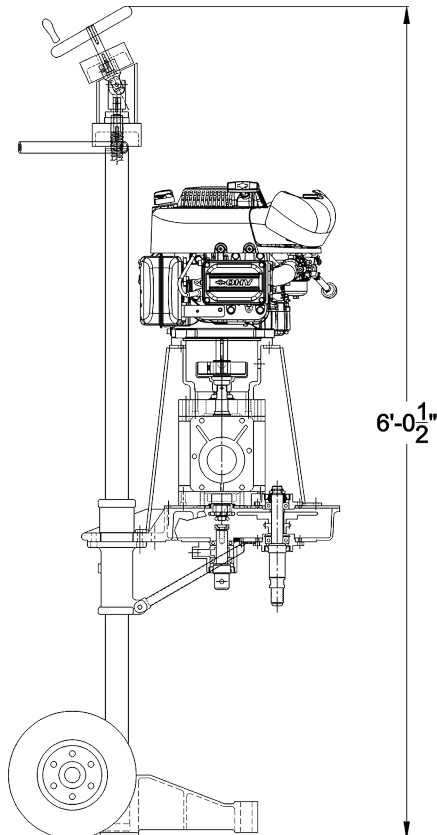
Feed Stroke (Standard): 44 in [1.1 m]

Estimated Operating Capacities

Augers, 3 in [76 mm] OD: 35 ft [11 m]

Augers, 12 in [305 mm] OD: 3 ft [1 m]

Concrete/Asphalt Drilling: 1-8 in [25 mm-203 mm]



Note: Above drilling capacities may vary according to sub-surface conditions, hoist capacity and rotary head option. Engineering specifications are theoretical, actual performance will be different, specifications are subject to change without notice.

